

**BOSCH**

Invented for life

Bosch ST Hightec

LN4-EFB – Maintenance Free Technology

Applications

Passenger Vehicles

Bosch Master Data

| | | |
|-------------------------|--------------------------------|--|
| Short Order Part Number | Bosch 10 Digit Part Number | EAN Barcode |
| LN4-EFB | 0092S67114 | 4047026478129 |
| Product Series | Technology | Warranty Period |
| ST Hightec EFB | EFB (Enhanced Flooded Battery) | Refer www.boschaftermarket.com.au |
| | | Refer www.boschaftermarket.co.nz |

Technical Information

| | | |
|-----------------|-------------------------|------------------|
| Nominal Voltage | Nominal Capacity (20HR) | Reserve Capacity |
| 12V | 80 AH | 145 mins |

Coldcranking Amps (CCA)

780 Amps

Case Size Dimension

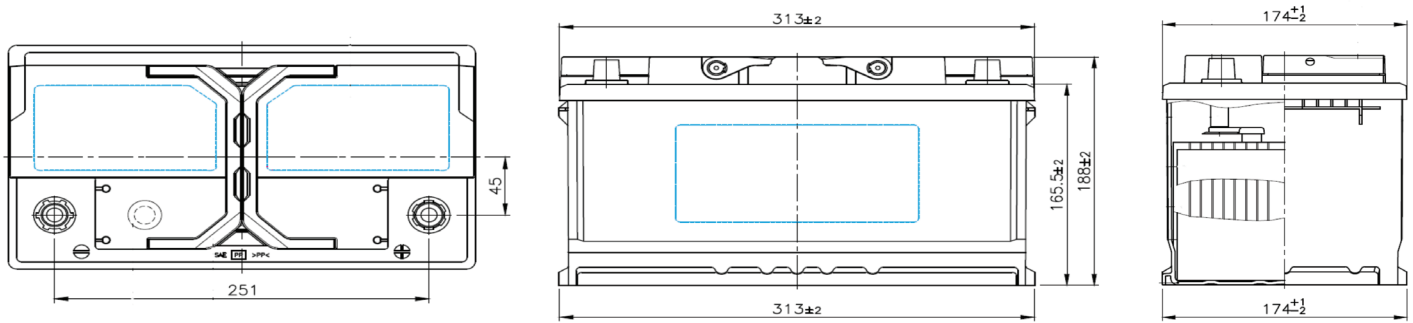
| | | |
|-----------------------|----------------------|----------------------|
| Length | Width | Container Height |
| 315 mm (12.40 inches) | 175 mm (6.89 inches) | 167 mm (6.57 inches) |

Total Height (with Terminal)

190 mm (7.48 inches)

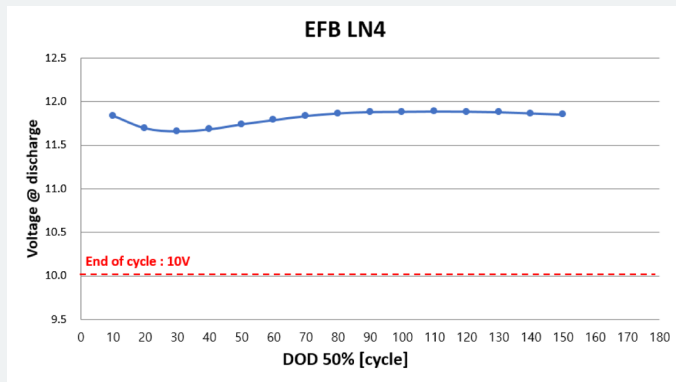
| | | |
|--------------------|----------------|--------------------|
| Approx Weight | Terminal | Container Material |
| 21.2 kg (46.6 lbs) | (-+) | Polypropylene |
| Lid Design | Base Hold Down | |
| Labrynth Lid | B3 | |

Product Dimension & Design

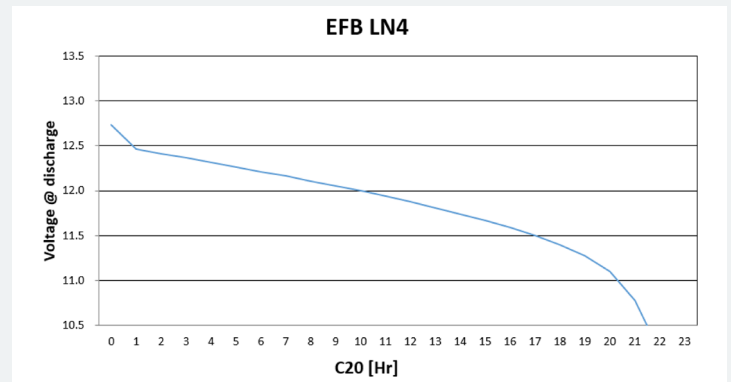


Product Performance Overview

Depth of Discharge Cycling Test



Discharge Characteristics Test



Your address for genuine Bosch quality:

Dealer stamp here: